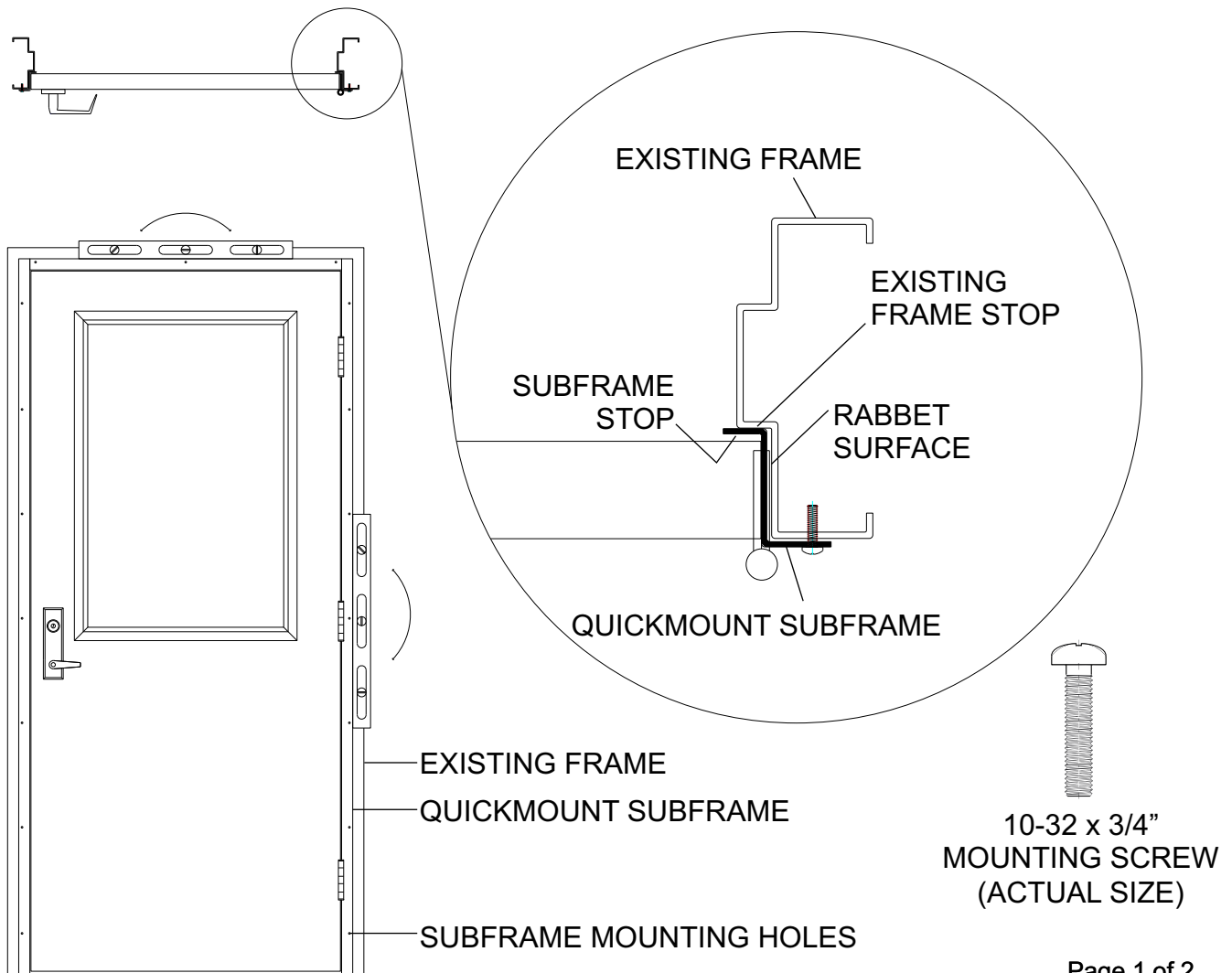




*Two or more people are required for safe and proper installation of this door.*

1. Remove door from packaging and inspect for shipping damage. Place door in an upright position, such as leaning against a wall. The door will not balance on its own and may fall over causing unreparable damage of injury.
2. Remove existing door from its steel frame. Remove the existing hinges and lock hardware from the existing frame. All surfaces of the existing frame must be smooth and free of all protrusions to ensure that the QuickMount subframe fits properly.
3. Insert QuickMount Door and Frame assembly into existing frame. Position subframe against stop of existing frame and tightly against rabbet surface on hinge side.
4. Use a level above subframe and on the hinge side of subframe to be sure frame is level. Failure to level door and subframe may result in faulty operation of door.
5. Using a #21 drill bit, drill pilot holes at each pre-punched mounting hole location.
6. While keeping door closed and latched, fasten subframe to existing frame using provided 10-32 x 3/4" screws. Install screws into all pre-punched mounting holes, beginning with the bottom and then the top screws on each side. Check often to ensure subframe is level and plumb during this process.

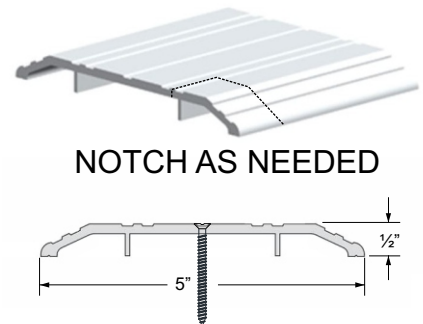


# SECURALL

## Installation Instructions for QuickMount Doors (Continued)

7. Apply provided self-adhesive weatherstripping to the stop of the subframe.
8. Install provided threshold:

- Cut threshold to desired width.
- Notch around door frame as needed.
- Place threshold onto moisture barrier, if desired.
- Attach threshold with appropriate fasteners.
- Caulk around base of threshold for moisture control.



9. Complete the door closer installation per enclosed manufacturer's instructions.
10. Install provided door sweep. Position sweep near the bottom of the door face so that the gasket touches the threshold. Use provided screws to attach sweep to door.

A & A Sheet Metal Products  
5122 N. State Road 39  
La Porte, IN 46350

[securalldoors.com](http://securalldoors.com)

(888)326-7890